



ME-74

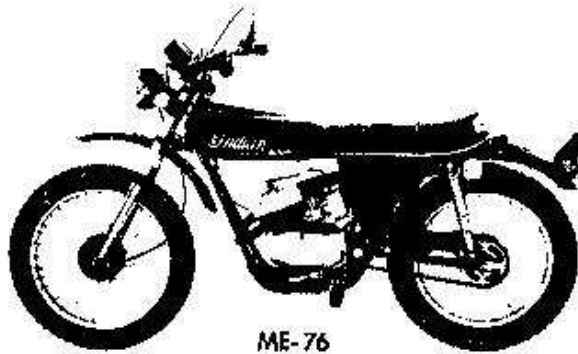
ENGINE P4-70

BORE & STROKE..... 45MM X 44MM
 DISPLACEMENT..... 69.9cc
 HORSE POWER..... 8HP @ 7500RPM
 IGNITION..... MAGNETO 33W-6V
 IGNITION TIMING... 2.8MM B.T.D.C.
 POINT GAP..... .014 TO .016
 CARBURETOR..... DELL'ORTO-19.19MM
 TRANSMISSION..... 4 SPEED
 OIL CAPACITY..... 16 OZ.

FRAME

WHEELBASE..... 50"
 DRY WEIGHT..... 169 POUNDS
 FRONT FORKS..... HYDRAULIC
 FORK OIL CAPACITY..... 4 3/4 OZ.
 REAR SHOCKS..... HYDRAULIC
 FUEL TANK CAPACITY.... 1.6 GALLON
 FRONT TIRE..... 3:00 X 19"
 REAR TIRE..... 3:50 X 17"
 GROUND CLEARANCE..... 8"

NOTE: MX-74B AND MX-76B MODELS HAVE 75cc ENGINES WITH 46.5MM BORE AND DISPLACEMENT OF 74.7cc.



ME-76

ENGINE P6-70

BORE & STROKE..... 45MM X 44MM
 DISPLACEMENT..... 69.9cc
 HORSE POWER..... 8HP @ 7500RPM
 IGNITION..... MAGNETO 33W-6V
 IGNITION TIMING... 2.8MM B.T.D.C.
 POINT GAP..... .014 TO .016
 CARBURETOR..... DELL'ORTO-19.19MM
 TRANSMISSION..... 6 SPEED
 OIL CAPACITY..... 26 OZ.

FRAME

WHEELBASE..... 50"
 DRY WEIGHT..... 172 POUNDS
 FRONT FORKS..... HYDRAULIC
 FORK OIL CAPACITY..... 4 3/4 OZ.
 REAR SHOCKS..... HYDRAULIC
 FUEL TANK CAPACITY.... 1.6 GALLON
 FRONT TIRE..... 3:00 X 18"
 REAR TIRE..... 3:50 X 17"
 GROUND CLEARANCE..... 8"

NOTE: ME-100B AND ME-100C MODELS ARE EQUIPPED WITH 10HP VERSION OF THE F500K ENGINE USING A 22MM MIKUNI CARBURETOR. ALSO ON MS & ML.



ME-100

ENGINE F-500

BORE & STROKE..... 53MM X 44MM
 DISPLACEMENT..... 97cc
 HORSE POWER..... 8.5HP @ 7500RPM
 IGNITION..... MAGNETO 45W-6V
 IGNITION TIMING... 2.6MM B.T.D.C.
 POINT GAP..... .012 TO .015
 CARBURETOR..... MIKUNI-20MM
 TRANSMISSION..... 5 SPEED
 OIL CAPACITY..... 20 OZ.

FRAME

WHEELBASE..... 50"
 DRY WEIGHT..... 175 POUNDS
 FRONT FORKS..... HYDRAULIC
 FORK OIL CAPACITY..... 4 3/4 OZ.
 REAR SHOCKS..... HYDRAULIC
 FUEL TANK CAPACITY... 1.6 GALLON
 FRONT TIRE..... 3:00 X 19"
 REAR TIRE..... 3:50 X 17"
 GROUND CLEARANCE..... 8 1/2"

NOTE: ME-125C MODELS ARE EQUIPPED WITH 60 WATT MAGNETO.



ME-125

ENGINE 125/5

BORE & STROKE..... 55MM X 52MM
 DISPLACEMENT..... 123.48cc
 CRANKSHAFT HP.... .19HP @ 7200RPM
 IGNITION..... MAGNETO 33W-6V
 IGNITION TIMING... 2.1MM B.T.D.C.
 POINT GAP..... .014 TO .016
 CARBURETOR..... DELL'ORTO-25MM
 TRANSMISSION..... 5 SPEED
 OIL CAPACITY..... 48 OZ.

FRAME

WHEELBASE..... 50"
 DRY WEIGHT..... 182 POUNDS
 FRONT FORKS..... HYDRAULIC
 FORK OIL CAPACITY..... 4 3/4 OZ.
 REAR SHOCKS..... HYDRAULIC
 FUEL TANK CAPACITY... 1.6 GALLON
 FRONT TIRE..... 3:00 X 19"
 REAR TIRE..... 3:50 X 17"
 GROUND CLEARANCE..... 8 1/2"

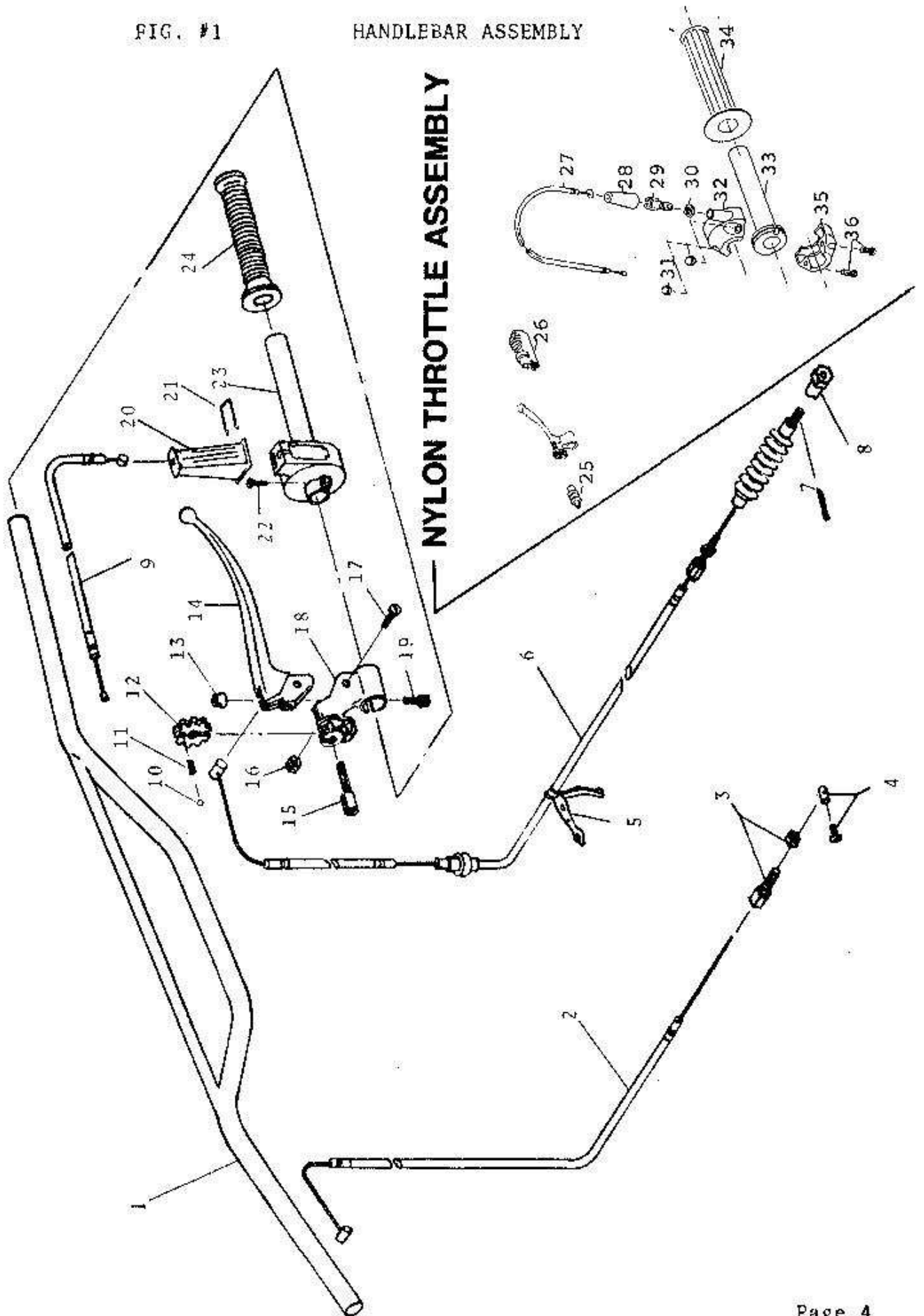


FIG. #2

FRONT FORK ASSEMBLY

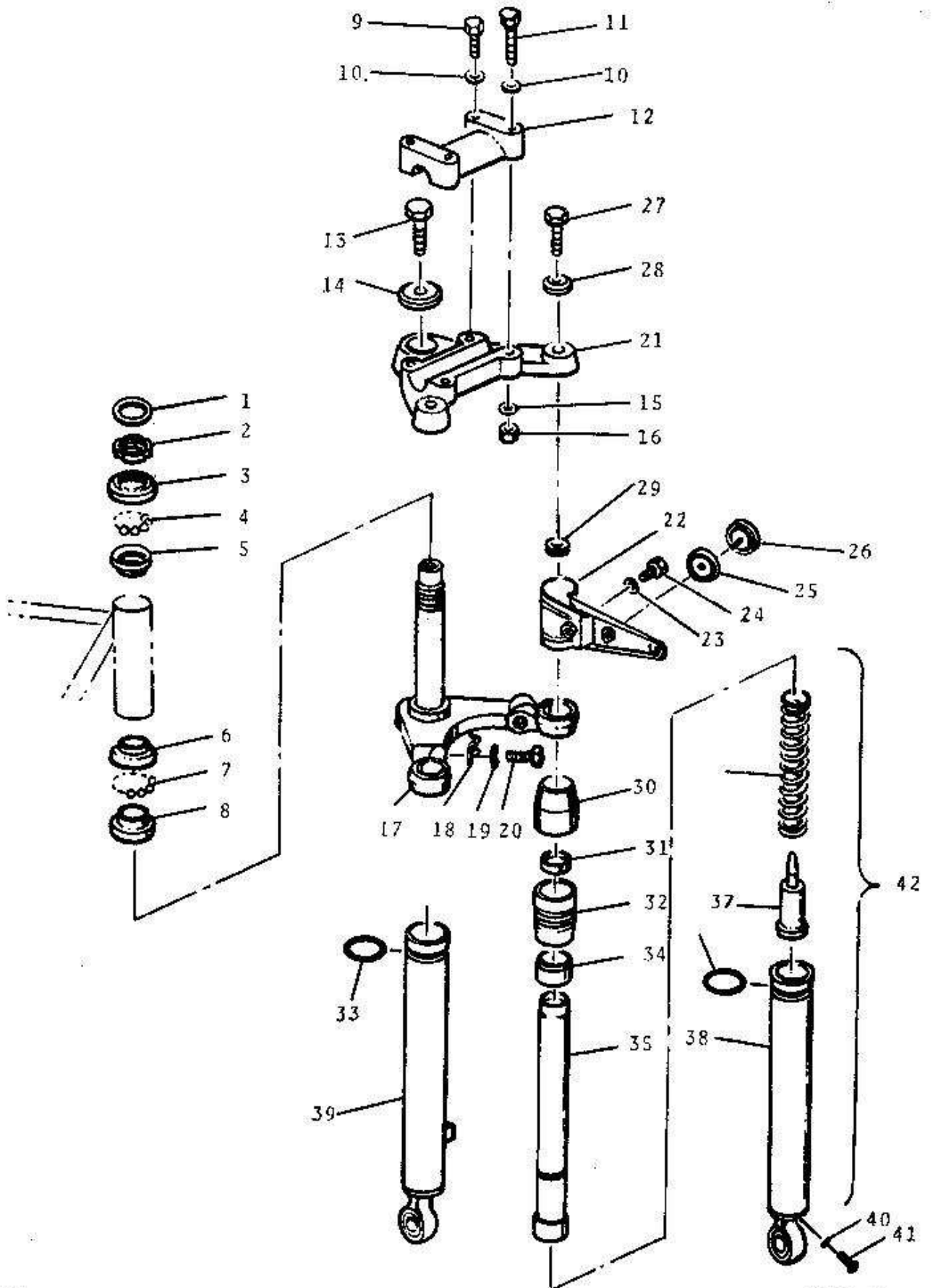


FIG. #3

FRONT WHEEL ASSEMBLY

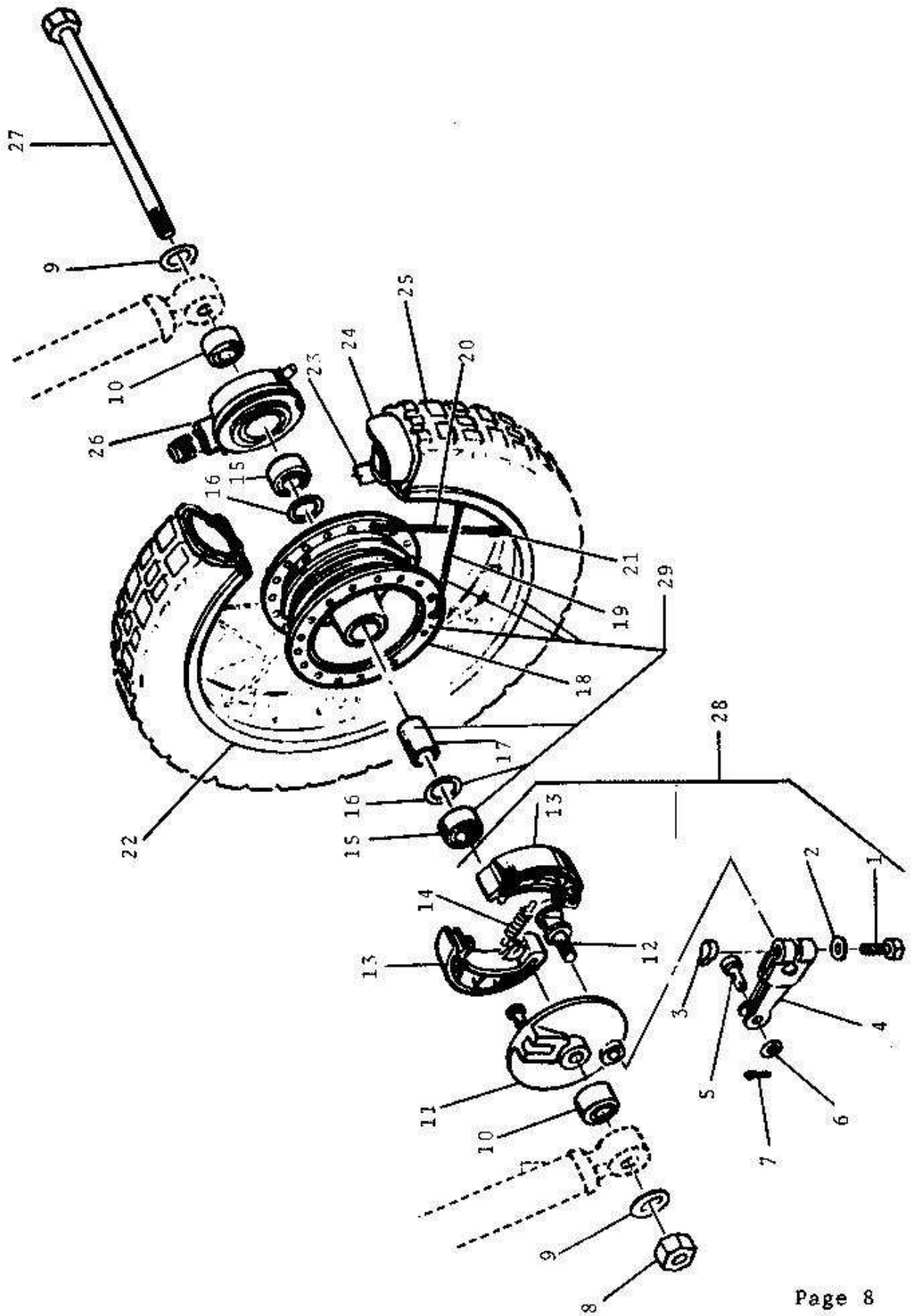


FIG. #4

FRONT FENDER ASSEMBLY

ML/MX PLASTIC FENDERS

- 11304044 - ORANGE
- 11304045 - RED
- 11304046 - WHITE
- 11304060 - GREEN
- 11304061 - BLUE
- 11304062 - YELLOW
- 11304063 - BRONZE
- 11304064 - SILVER

MX STEEL FENDER

- 11304006 - WHITE
- 11304027 - RED
- 11304028 - ORANGE

ME STEEL FENDERS

- 13004174 - GREEN
- 13004175 - BLUE
- 13004176 - BRONZE
- 13004177 - YELLOW

ME PLASTIC FENDERS

- 13004151 - GREEN
- 13004152 - BLUE
- 13004153 - YELLOW
- 13004154 - BRONZE
- 13004158 - ORANGE
- 13004159 - GOLD
- 13004160 - RED
- 13004155 - SILVER

MS STEEL FENDERS

- 12104701 - Black
- 12104702 - Brown
- 12104703 - Red
- 12104704 - Orange
- 12104705 - Yellow
- 12104706 - Green
- 12104707 - Blue
- 12104708 - White
- 12104709 - Gold
- 12104710 - Silver

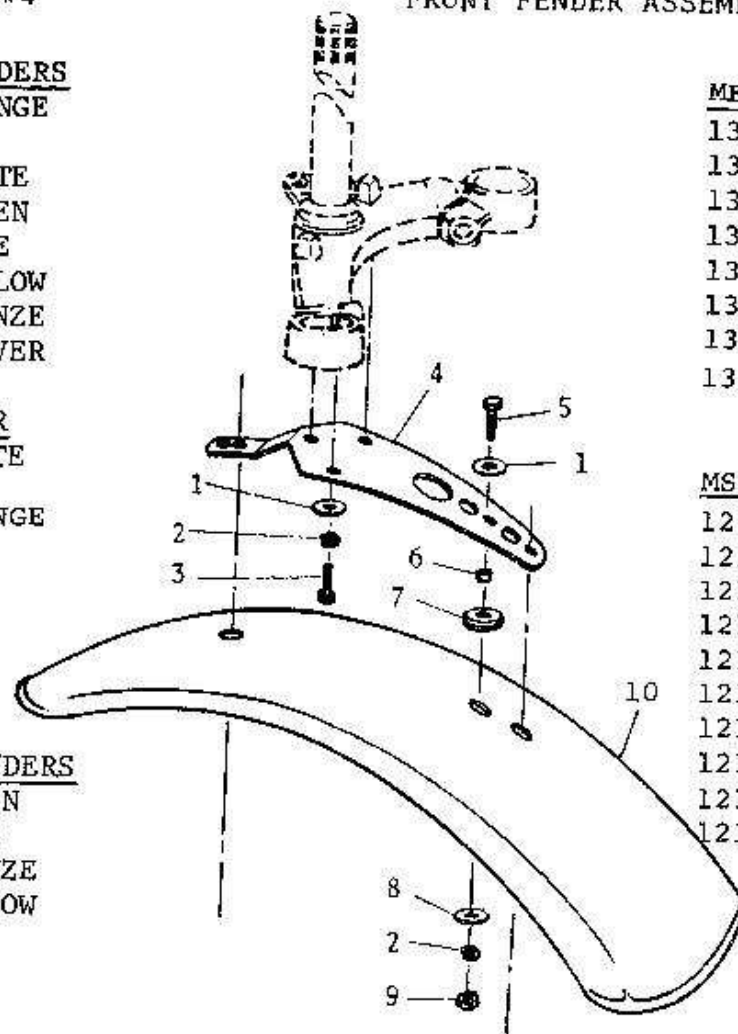


FIG. #5

GAS TANK ASSEMBLY

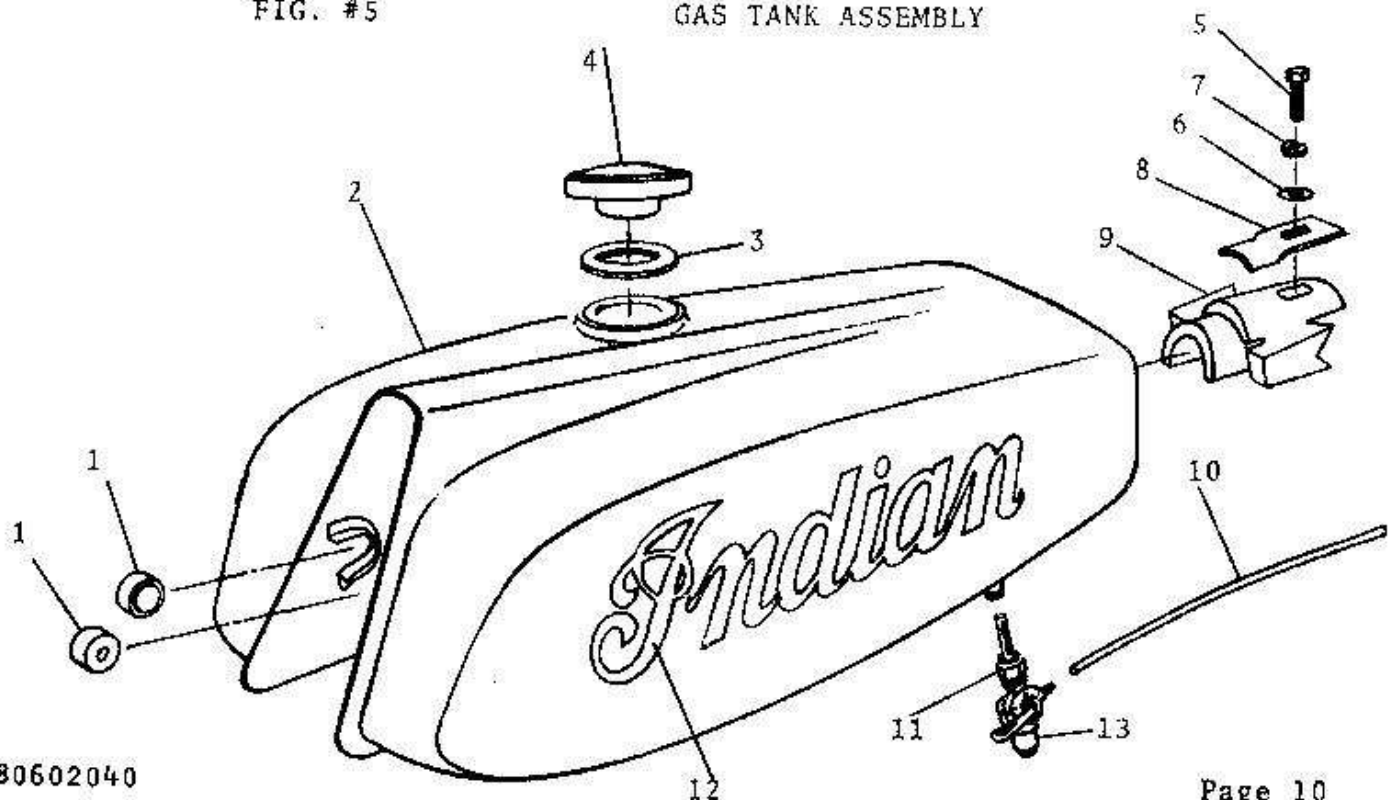


FIG. #6

SEAT ASSEMBLY

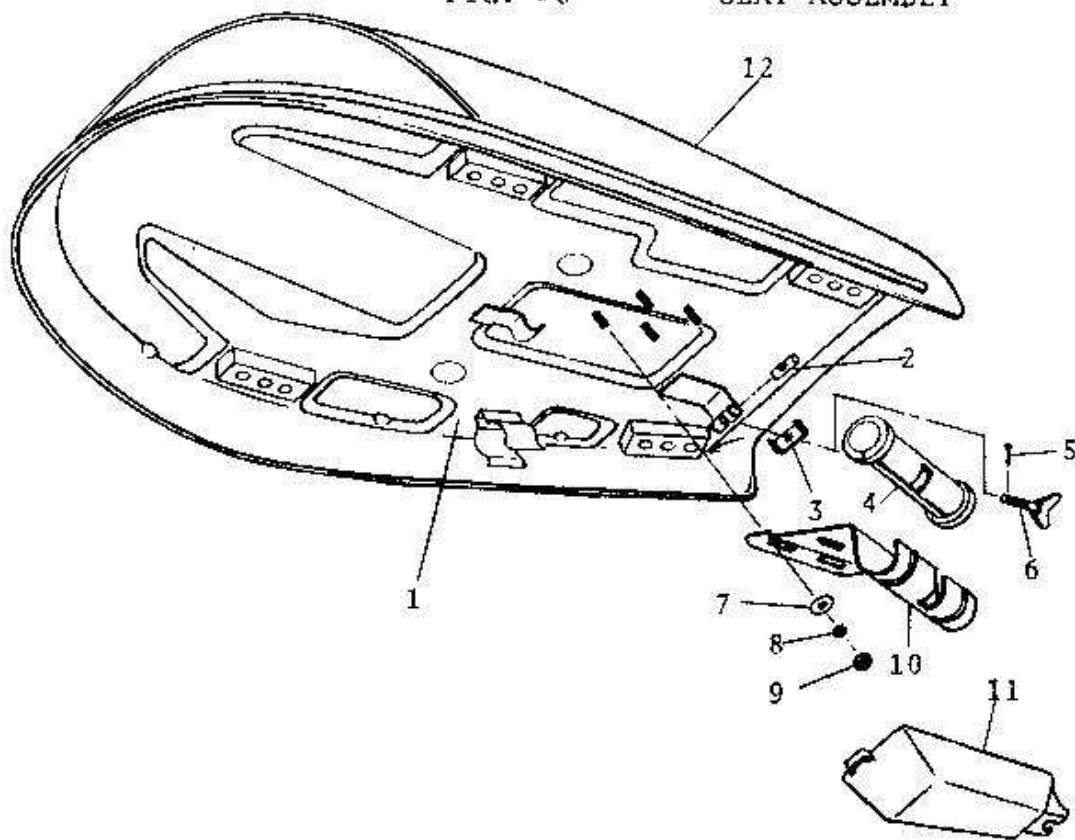
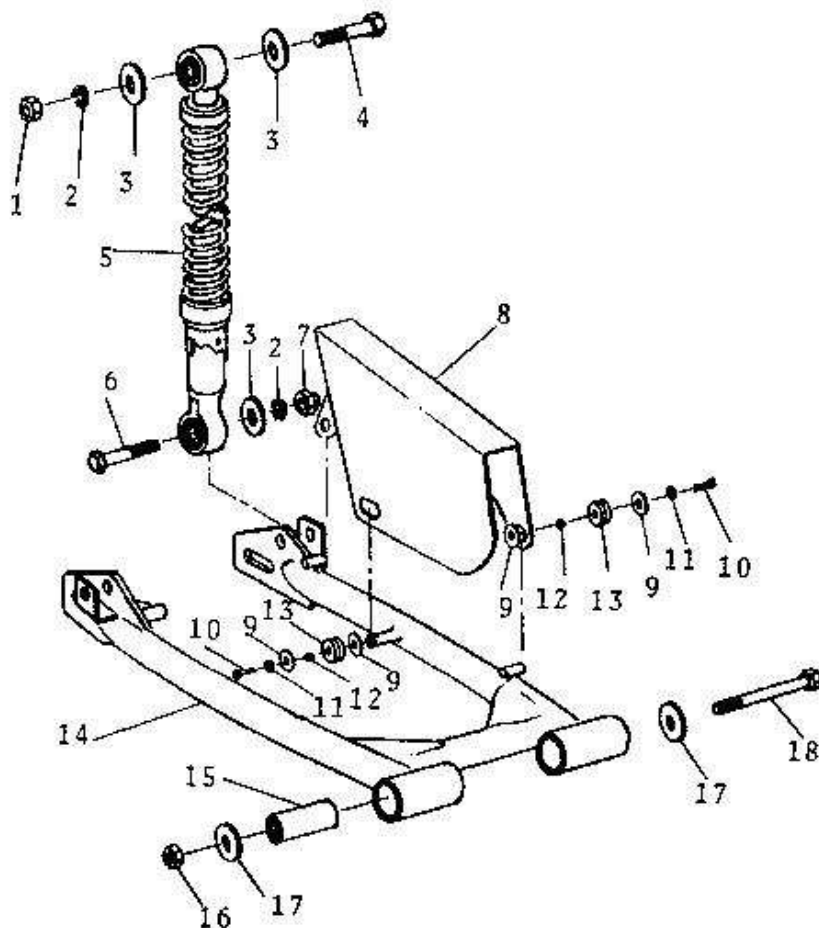


FIG. #7

REAR SHOCK & SWING ARM ASSEMBLY



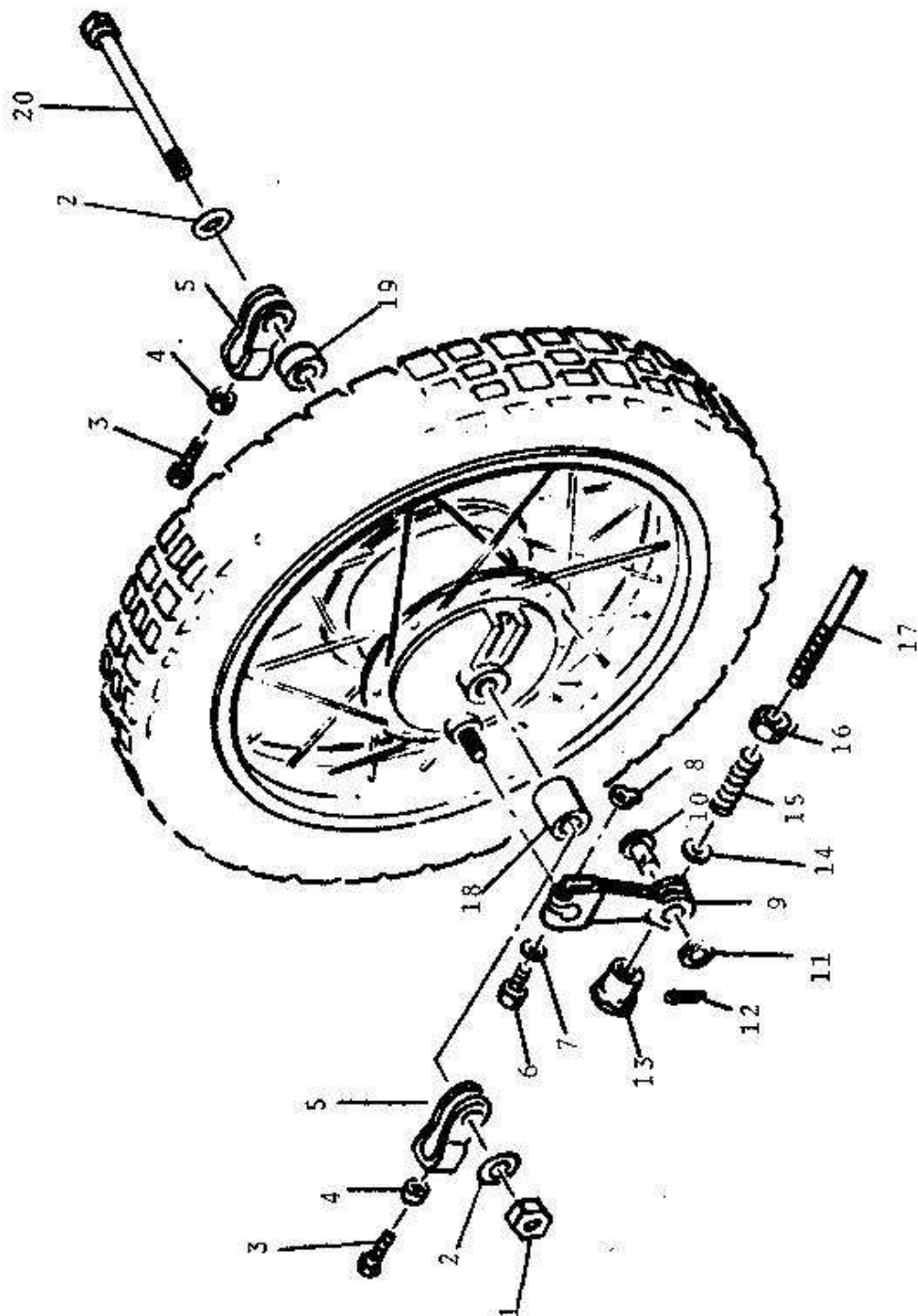
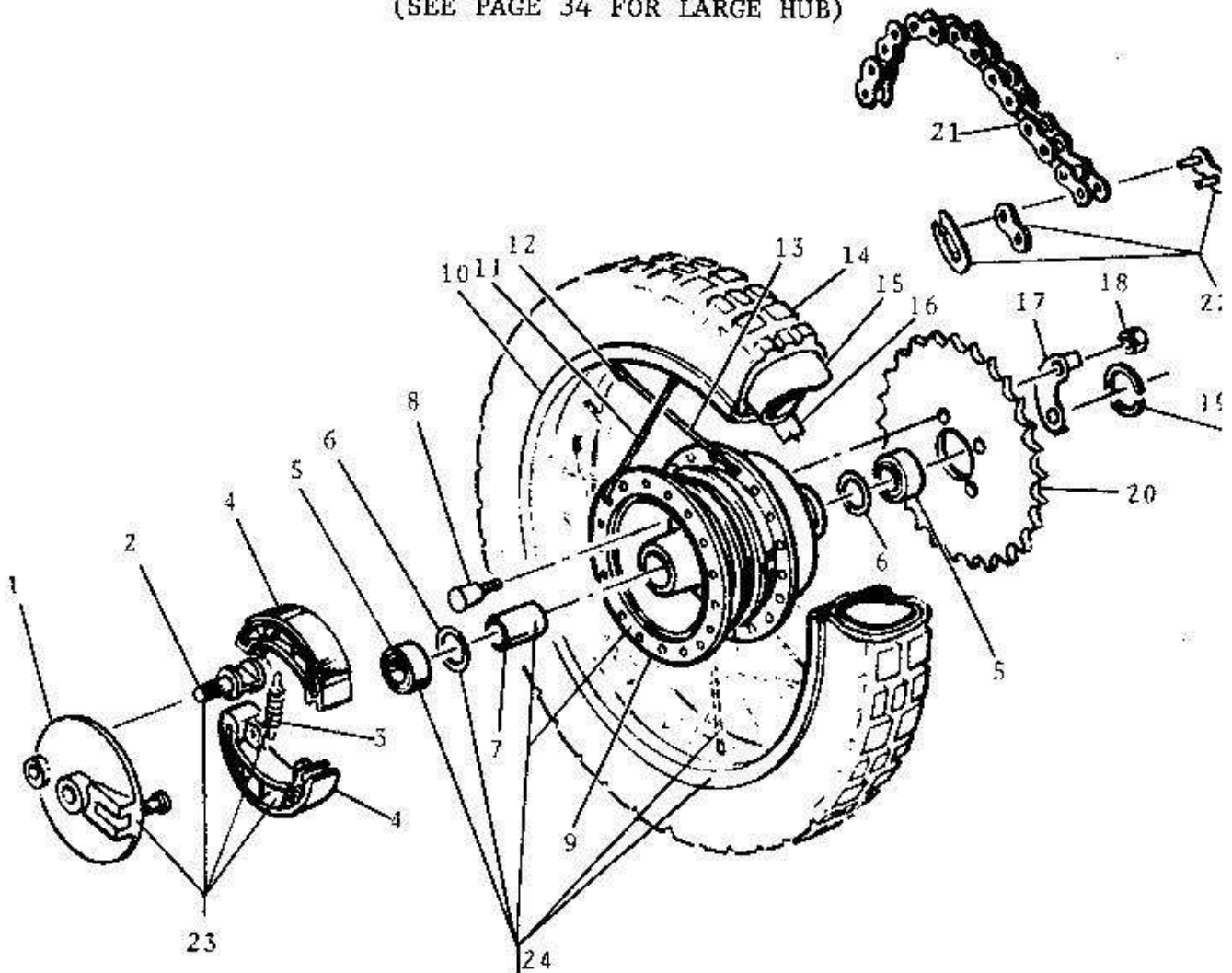


FIG. #9

REAR WHEEL ASSEMBLY
(SEE PAGE 34 FOR LARGE HUB)



TORQUE ROD ASSEMBLY

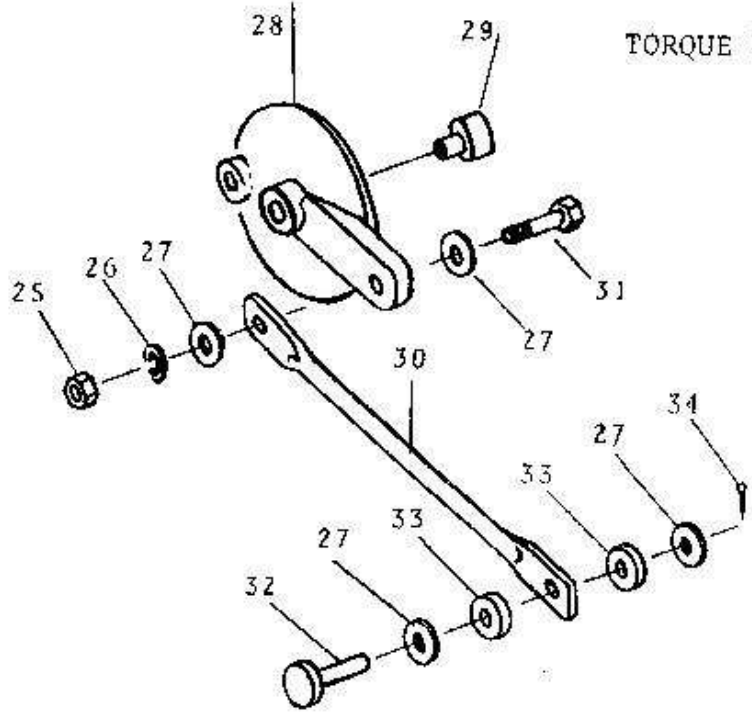
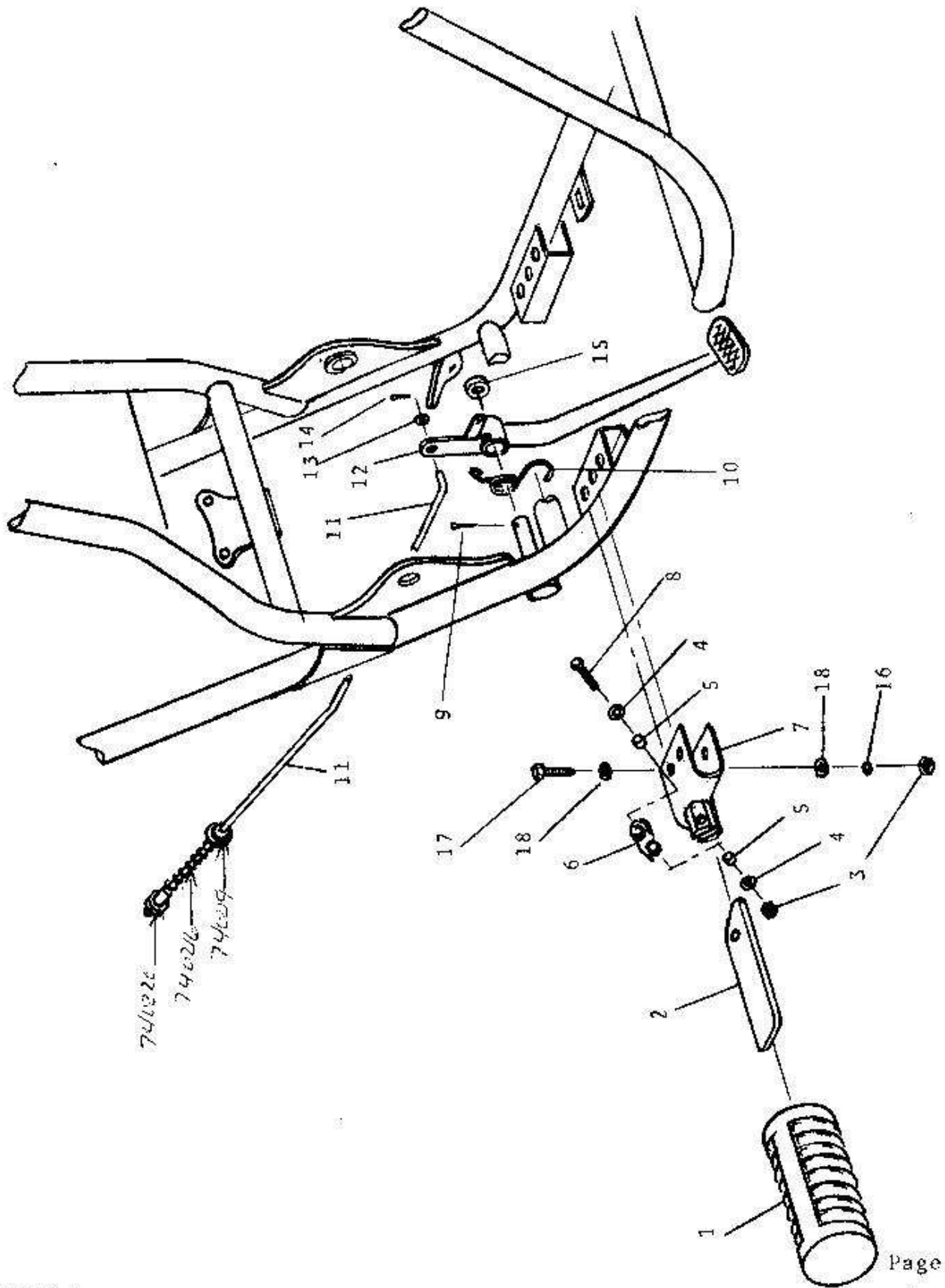


FIG. #10

FOOT PEG ASSEMBLY



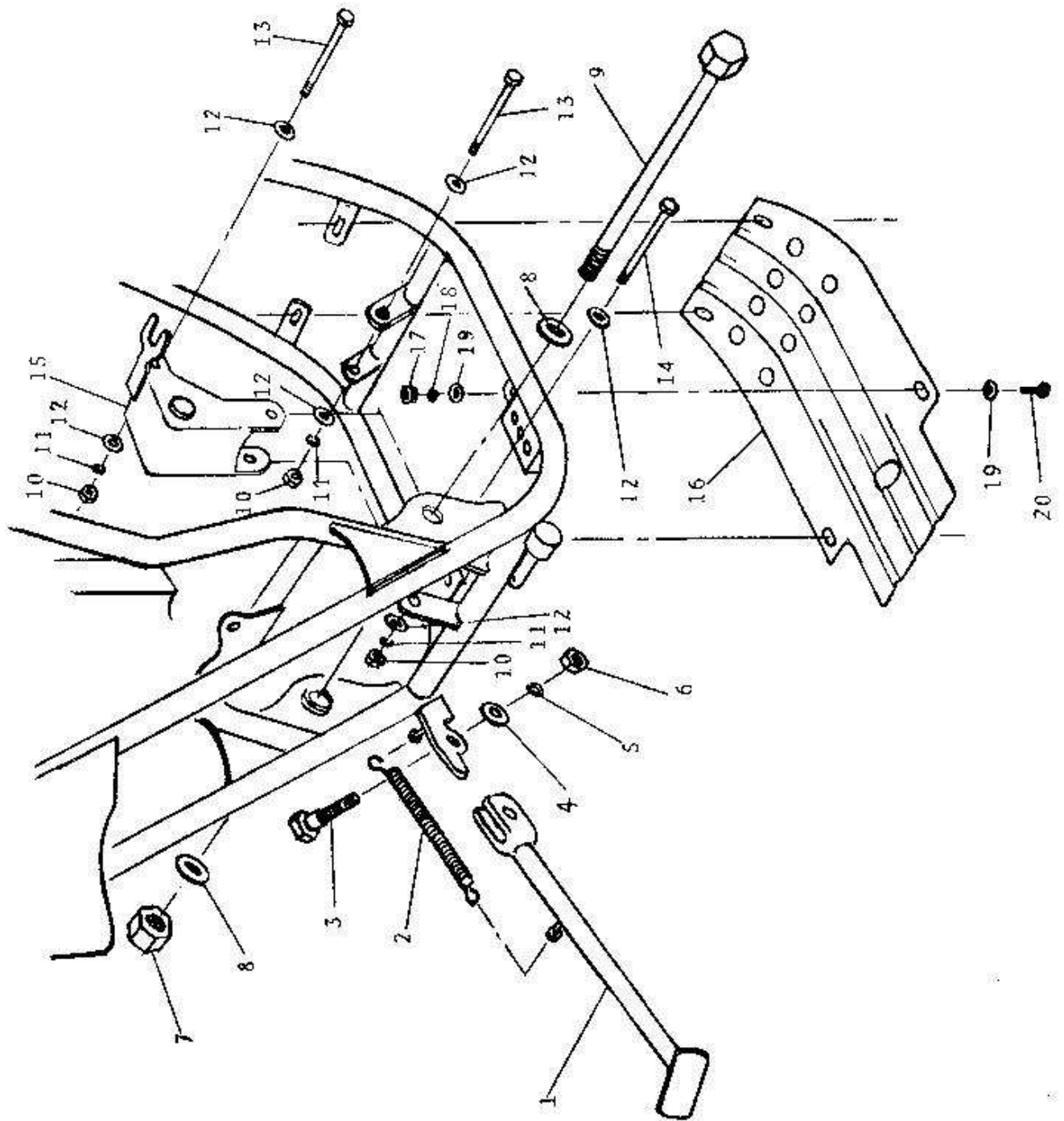
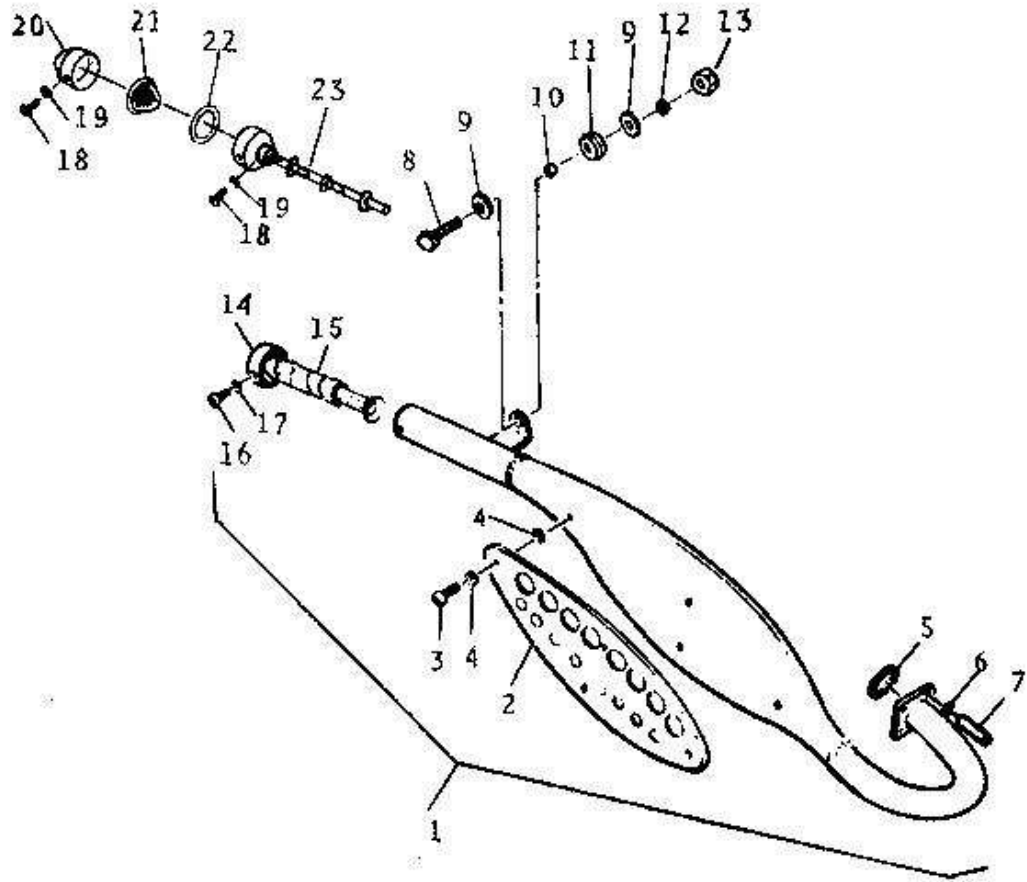


FIG. #12

EXHAUST PIPE ASSEMBLY



ME-125 PIPE ASSEMBLY

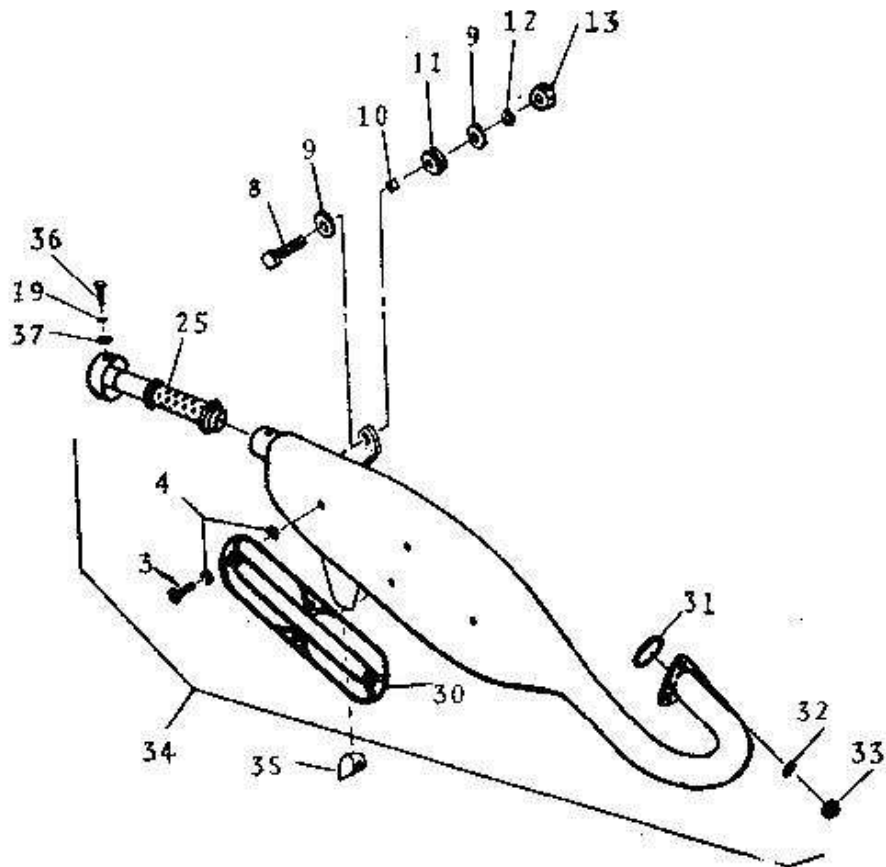


FIG. #13

FRAME, CENTRAL

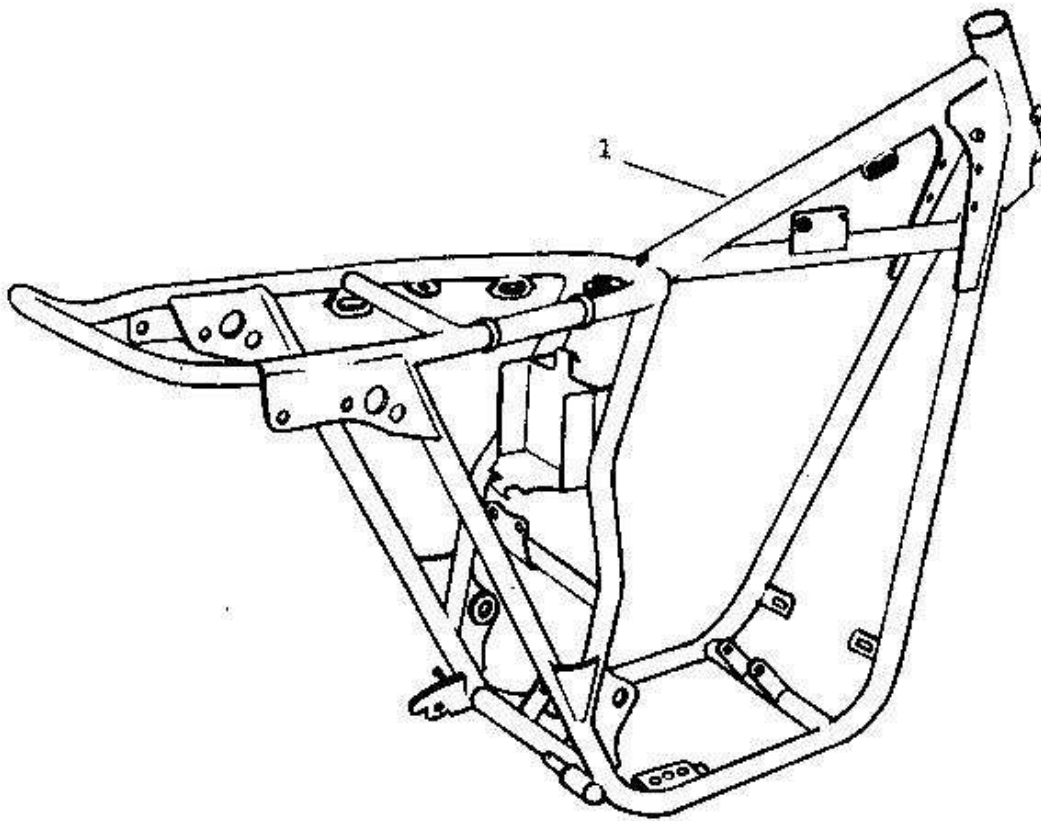


FIG. #14

SIDE COVER & REAR TURN SIGNAL ASSEMBLY

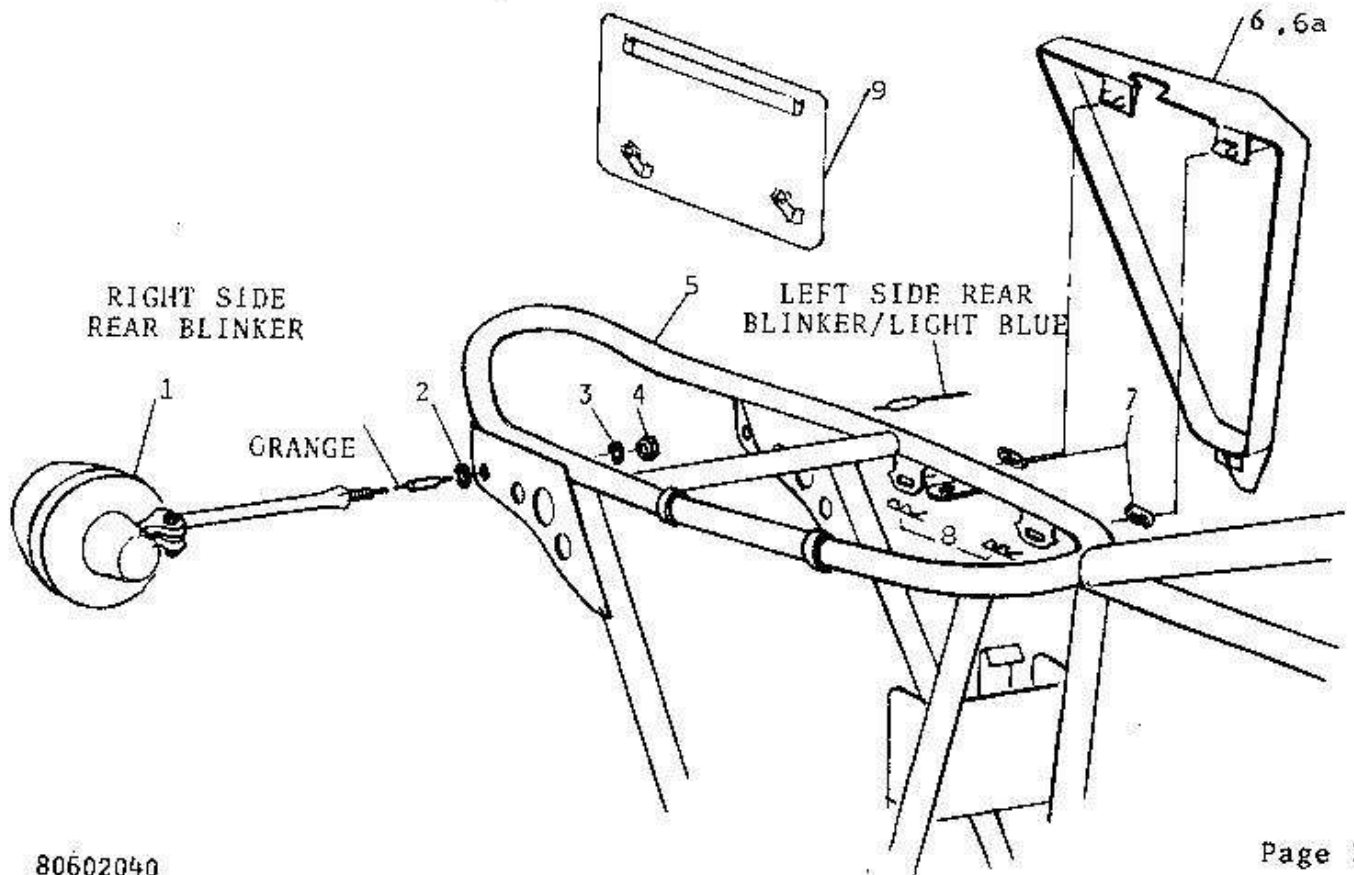


FIG. #15

REAR FENDER & TAILLIGHT ASSEMBLY

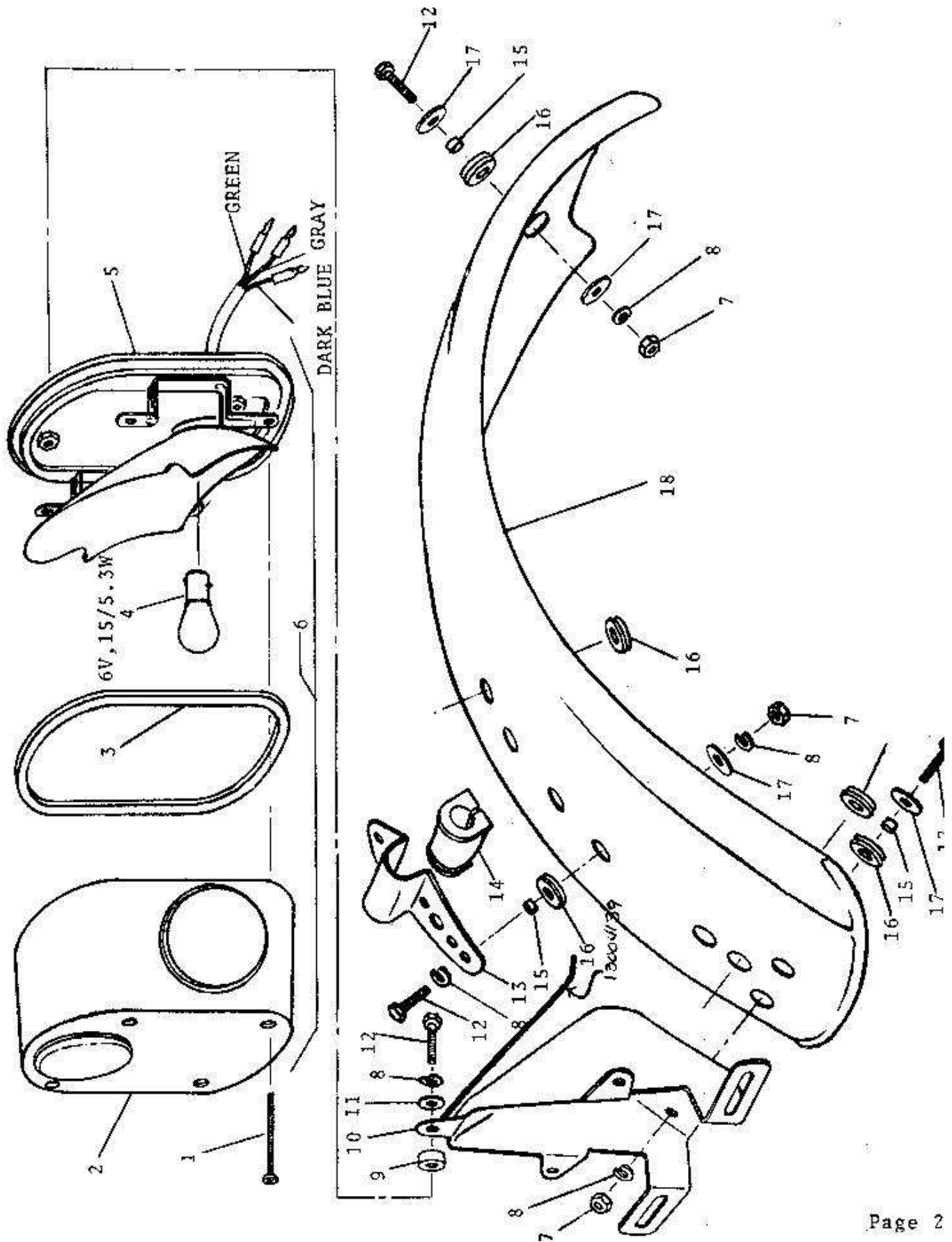


FIG. #16

HEADLIGHT & FRONT BLINKER ASSEMBLY

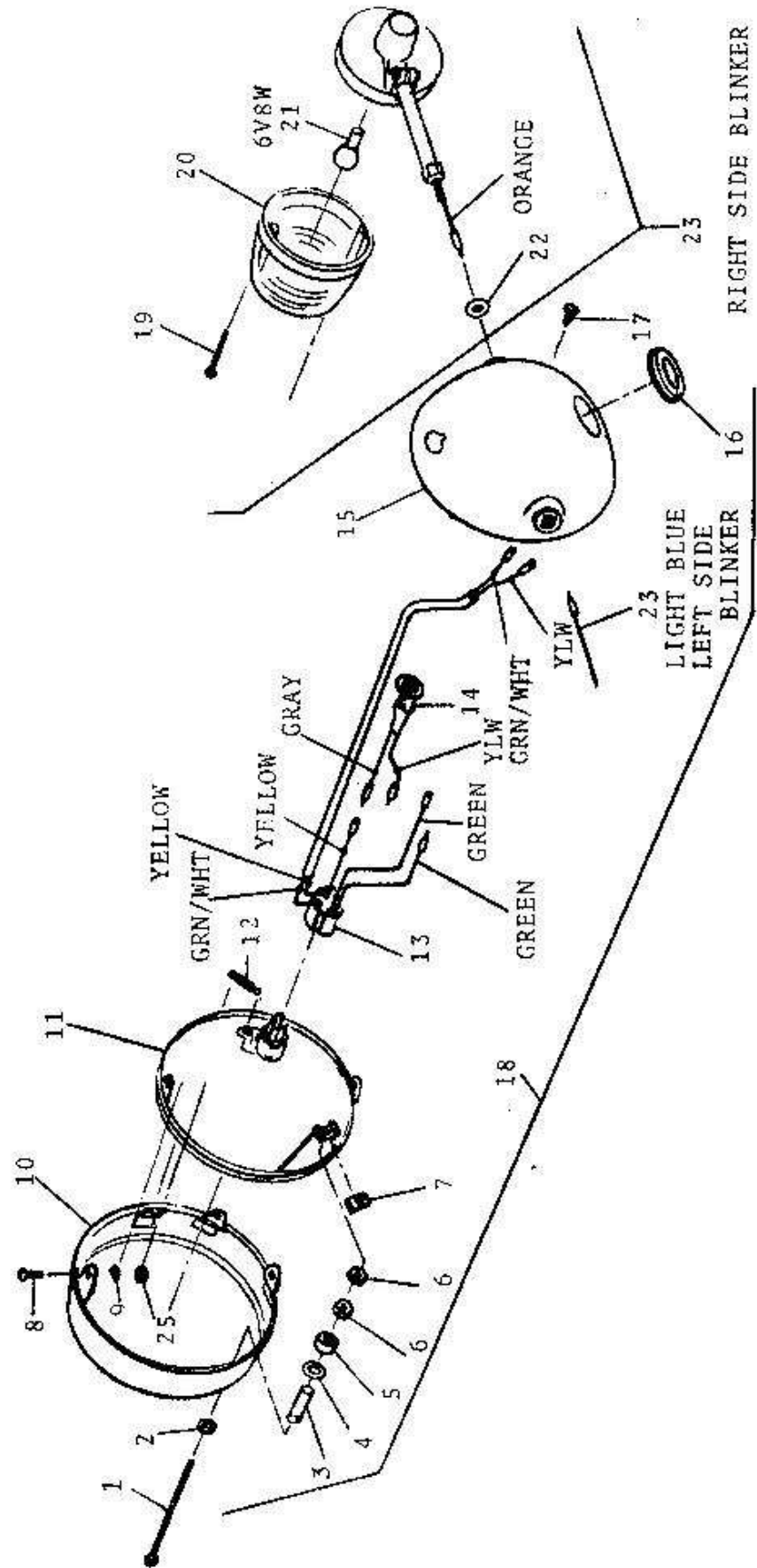


FIG. #17

HIGH/LOW BEAM SWITCH ASSEMBLY

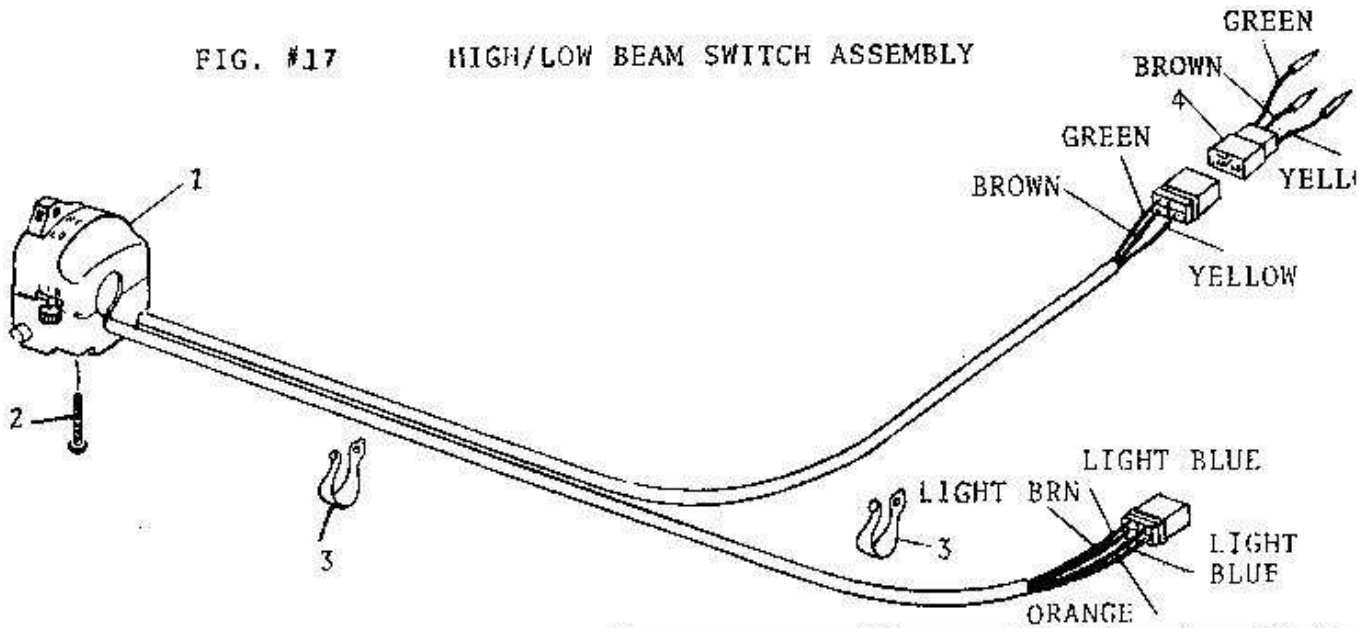
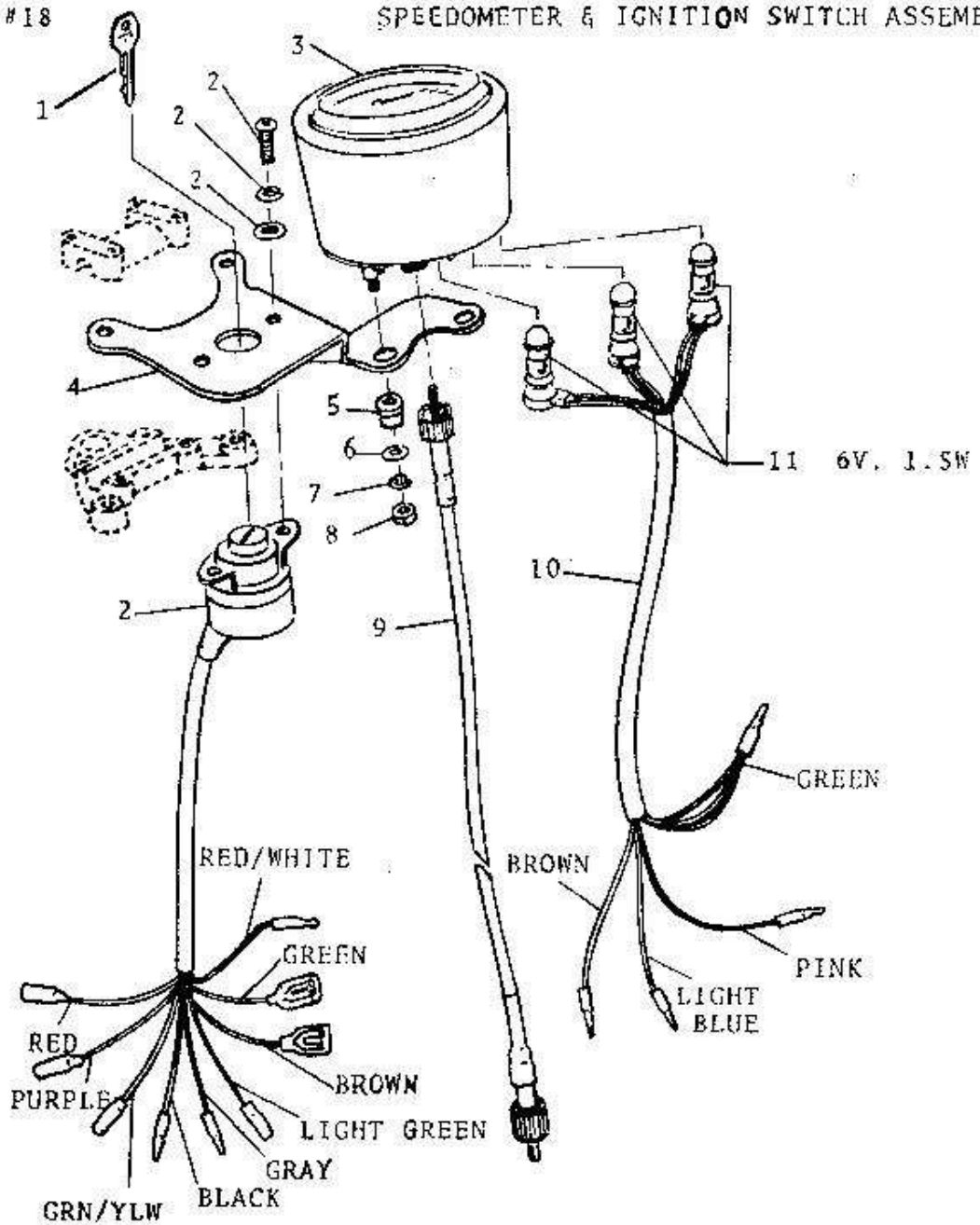
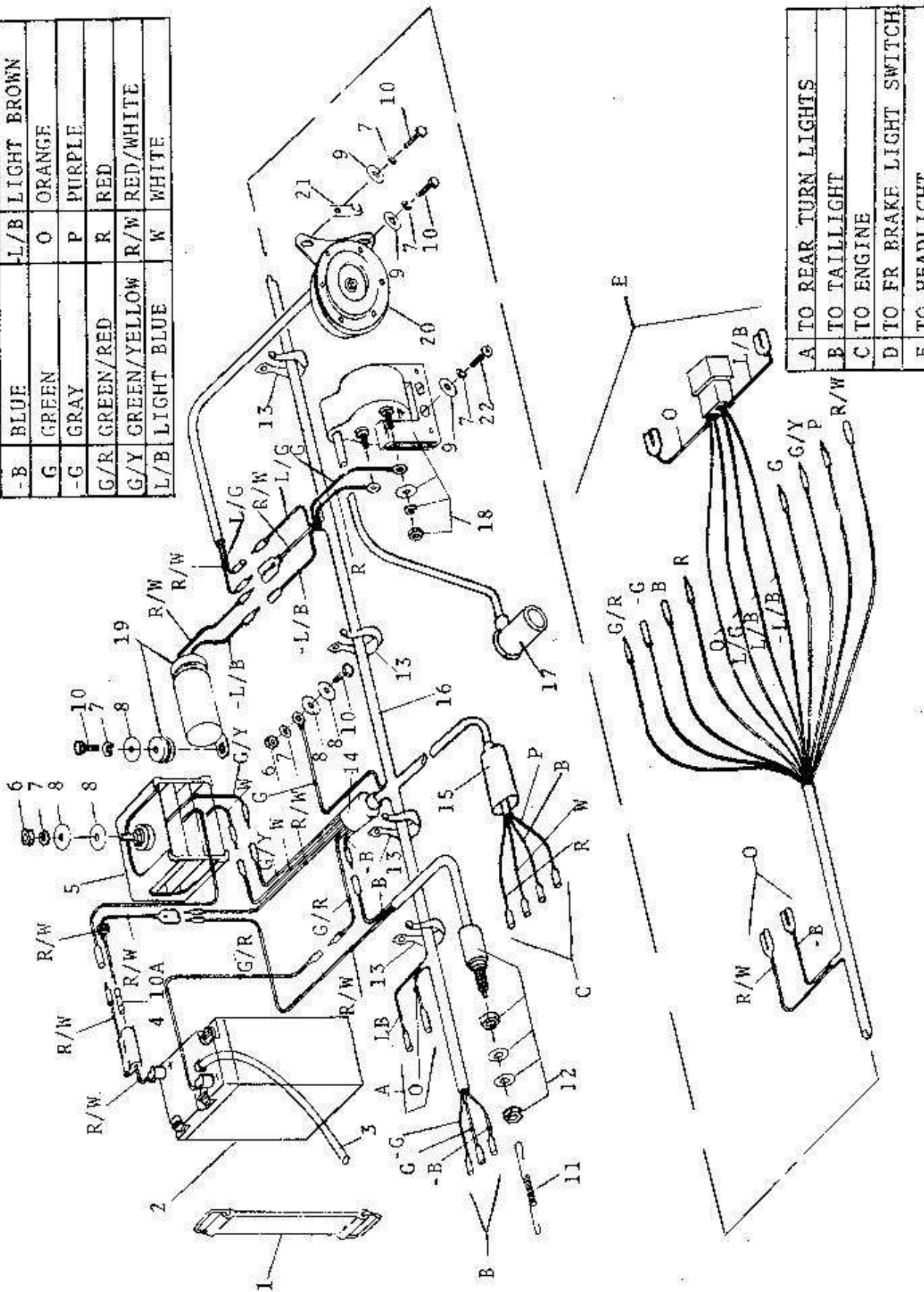


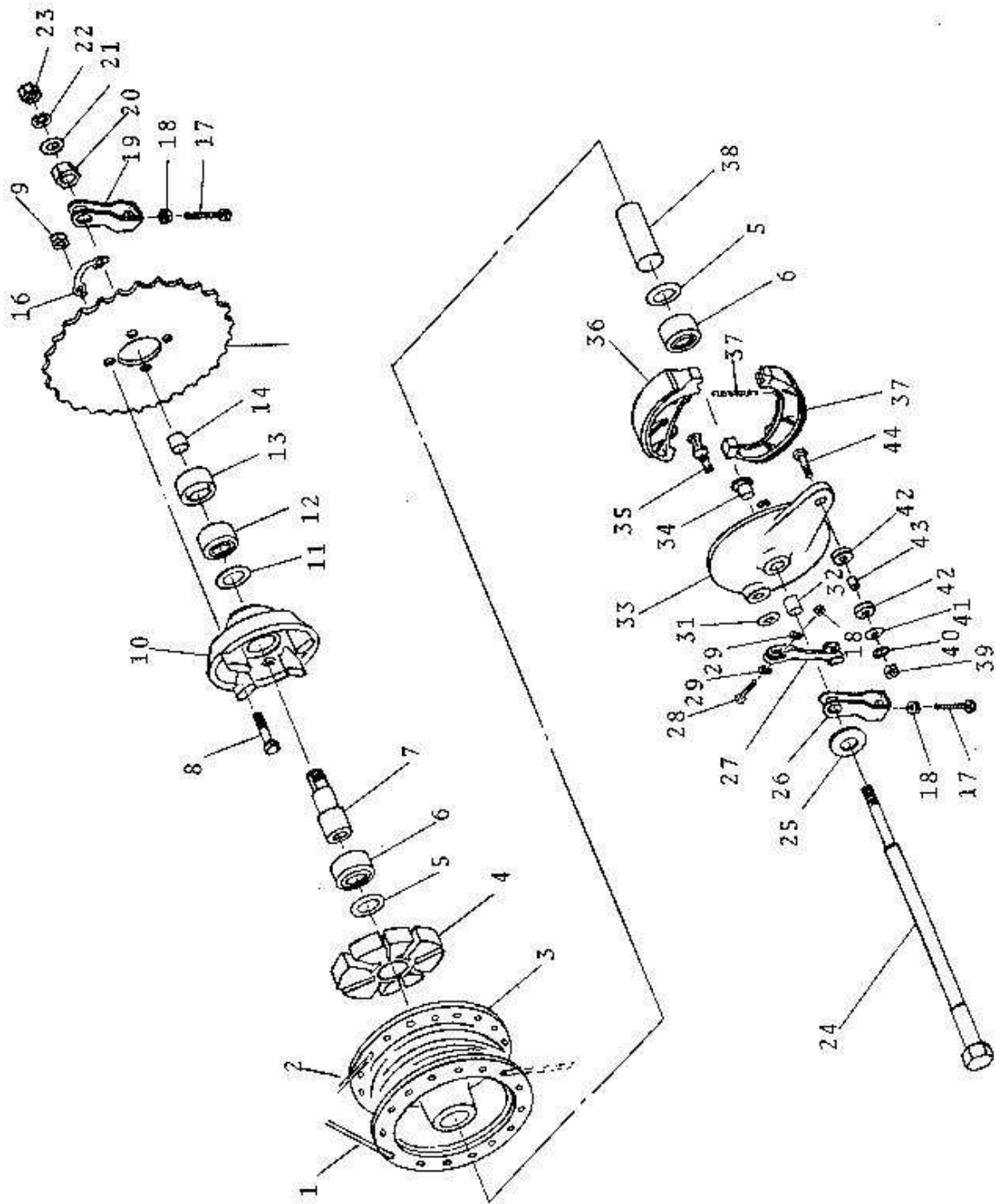
FIG. #18

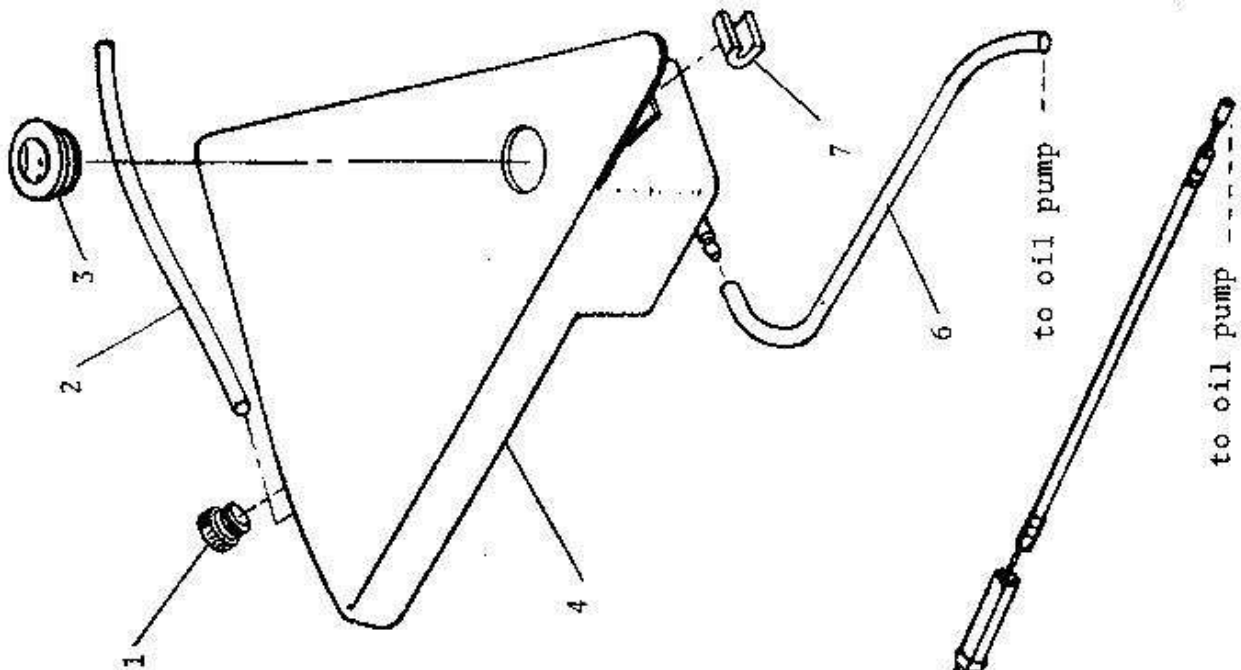
SPEEDOMETER & IGNITION SWITCH ASSEMBLY



B	BLACK	LG	LIGHT GREEN
-B	BLUE	L/B	LIGHT BROWN
G	GREEN	O	ORANGE
-G	GRAY	P	PURPLE
G/R	GREEN/RED	R	RED
G/Y	GREEN/YELLOW	R/W	RED/WHITE
L/B	LIGHT BLUE	W	WHITE







to throttle

to oil pump

to oil pump

to carburetor

Fig. & Index No.	Part Number	Units/ Assy	Description
1	11134113		Oil Cap
2	11104101		Oil tank vent
3	11124113		Glass eye
4	11114113		Oil tank
5	12014008		Throttle cable oil pump
6	11104101		Oil line
7	13004036		Rubber grommet

ME-100 OIL ASSEMBLY